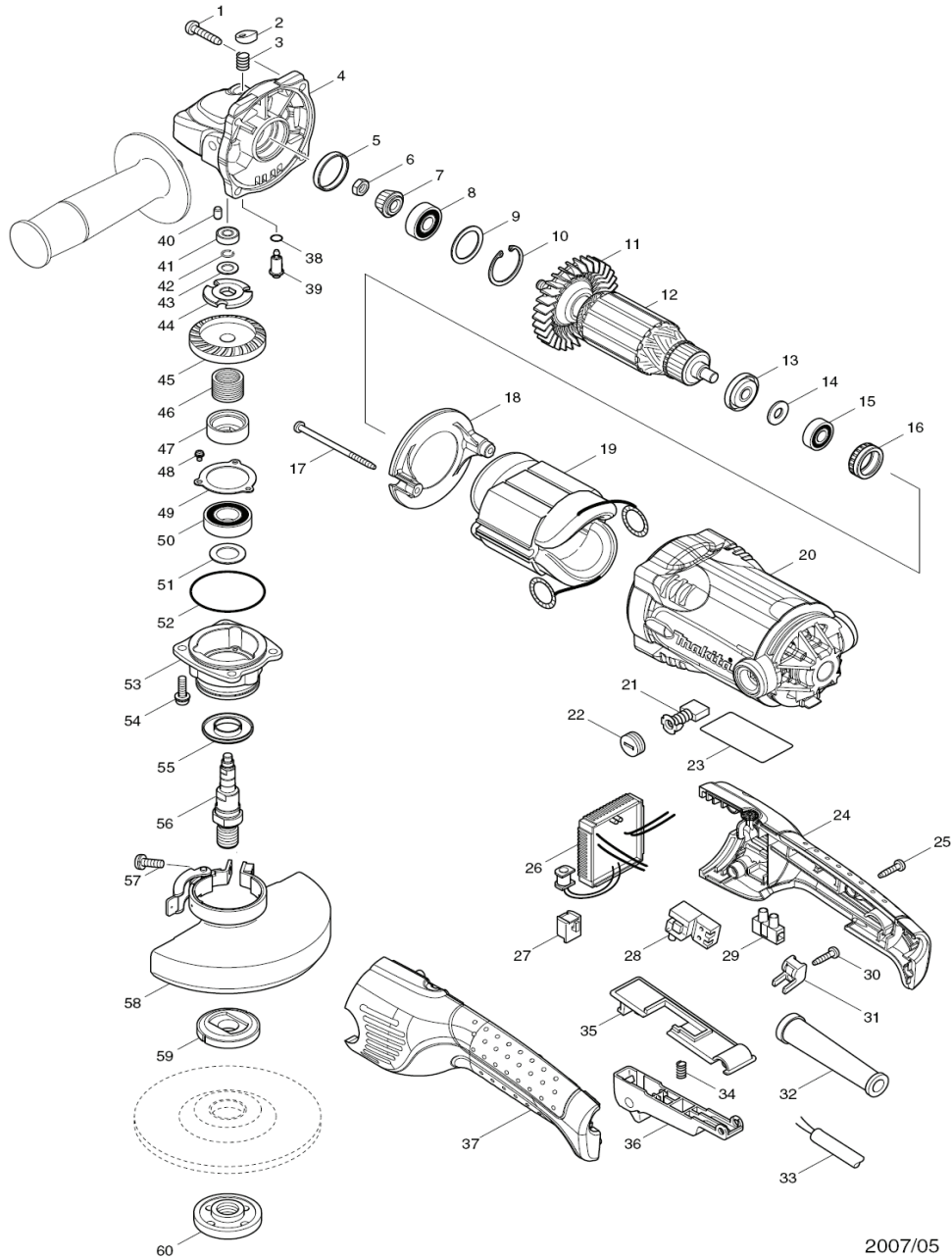




GA5021C



2007/05
GA5021C

Item	Sub	Sub_Explanation	Parts_No.	Parts_Description	Qty	Unit	Note
001A			266041-8	TAPPING SCREW 5X25	4	PC.	
001B			266041-8	TAPPING SCREW 5X25	4	PC.	
2			266041-8	TAPPING SCREW 5X25	4	PC.	
002A			417771-6	PIN CAP	1	PC.	
002B			417771-6	PIN CAP	1	PC.	
3			234057-1	COMPRESSION SPRING 8	1	PC.	
003A			234057-1	COMPRESSION SPRING 8	1	PC.	
003B			234057-1	COMPRESSION SPRING 8	1	PC.	
4			318158-4	GEAR HOUSING	1	PC.	
004A			318158-4	GEAR HOUSING	1	PC.	
004B			318158-4	GEAR HOUSING	1	PC.	
5			424051-3	RUBBER RING 26	1	PC.	
005A			424051-3	RUBBER RING 26	1	PC.	
005B			424051-3	RUBBER RING 26	1	PC.	
6			264010-3	HEX NUT M7	1	PC.	
006A			264010-3	HEX NUT M7	1	PC.	
006B			264010-3	HEX NUT M7	1	PC.	
7			227520-1	SPIRAL BEVEL GEAR 11	1	PC.	
007A			227520-1	SPIRAL BEVEL GEAR 11	1	PC.	
007B			227520-1	SPIRAL BEVEL GEAR 11	1	PC.	
8			211088-7	BALL BEARING 6000DDW	1	PC.	
008A			211088-7	BALL BEARING 6000DDW	1	PC.	
008B			211088-7	BALL BEARING 6000DDW	1	PC.	
9			267352-4	FLAT WASHER 22	1	PC.	
009A			267352-4	FLAT WASHER 22	1	PC.	
009B			267352-4	FLAT WASHER 22	1	PC.	
10			962107-9	RETAINING RING (INT) R-30	1	PC.	
010A			962107-9	RETAINING RING (INT) R-30	1	PC.	
010B			962107-9	RETAINING RING (INT) R-30	1	PC.	
11			240094-5	FAN 70	1	PC.	
011A			240094-5	FAN 70	1	PC.	
011B			240094-5	FAN 70	1	PC.	
12			518666-7	ARMATURE ASS'Y 115V	1	PC.	110V
12			513729-4	ARMATURE ASS'Y 240V	1	PC.	240V
12			INC. 1113-15	INC. 1113-15	0		
012A	D10	INC. 1113-15	513729-4	ARMATURE ASS'Y 240V	1	PC.	240V
012A			518666-7	ARMATURE ASS'Y 115V	1	PC.	110V
012A	D10	INC. 1113-15	INC. 1113-15	INC. 1113-15	0		
012B			513729-4	ARMATURE ASS'Y 240V	1	PC.	240V
012B	D10	INC. 1113-15	INC. 1113-15	INC. 1113-15	0		
13			681660-3	INSULATION WASHER	1	PC.	
013A			681660-3	INSULATION WASHER	1	PC.	
013B			681660-3	INSULATION WASHER	1	PC.	
14			267281-1	FLAT WASHER 8	1	PC.	
014A			267281-1	FLAT WASHER 8	1	PC.	
014B			267281-1	FLAT WASHER 8	1	PC.	
15			210005-4	BALL BEARING 608DDW	1	PC.	
015A			210005-4	BALL BEARING 608DDW	1	PC.	
015B			210005-4	BALL BEARING 608DDW	1	PC.	
16			421720-7	RUBBER RING 22	1	PC.	
016A			421720-7	RUBBER RING 22	1	PC.	
016B			421720-7	RUBBER RING 22	1	PC.	
17			266325-4	TAPPING SCREW 4X70	2	PC.	
017A			266325-4	TAPPING SCREW 4X70	2	PC.	
017B			266325-4	TAPPING SCREW 4X70	2	PC.	
18			419961-7	BAFFLE PLATE	1	PC.	
018A			419961-7	BAFFLE PLATE	1	PC.	
018B			419961-7	BAFFLE PLATE	1	PC.	
19			528810-8	FIELD ASS'Y 115V	1	PC.	110V
19			525794-4	FIELD ASS'Y 240V	1	PC.	240V
19	C10		654020-2	RING TERMINAL	2	PC.	
19	C20		654555-3	CONNECTOR 34130	2	PC.	
019A			525784-4	FIELD ASS'Y 240V	1	PC.	240V
019A			528810-8	FIELD ASS'Y 115V	1	PC.	110V
019A	C10		654020-2	RING TERMINAL	2	PC.	
019A	C20		654555-3	CONNECTOR 34130	2	PC.	
019B			525794-4	FIELD ASS'Y 240V	1	PC.	240V
019B	C10		654020-2	RING TERMINAL	2	PC.	
019B	C20		654555-3	CONNECTOR 34130	2	PC.	
20			158398-0	MOTOR HOUSING COMPLETE	1	PC.	
20	C10		643751-8	BRUSH HOLDER	2	PC.	
020A			158398-0	MOTOR HOUSING COMPLETE	1	PC.	
020A	C10		643751-8	BRUSH HOLDER	2	PC.	
020B			158398-0	MOTOR HOUSING COMPLETE	1	PC.	
020B	C10		643751-8	BRUSH HOLDER	2	PC.	
21			643751-8	BRUSH HOLDER	2	PC.	
021A			194547-5	CARBON BRUSH CB-253	1	PC.	
021B			194547-5	CARBON BRUSH CB-253	1	PC.	
22			643750-0	BRUSH HOLDER CAP	2	PC.	
022A			643750-0	BRUSH HOLDER CAP	2	PC.	
022B			643750-0	BRUSH HOLDER CAP	2	PC.	
23			864047-6	GA5021C NAME PLATE	1	PC.	
023A			864047-6	GA5021C NAME PLATE	1	PC.	
023B			864047-6	GA5021C NAME PLATE	1	PC.	
24			188452-6	HANDLE SET	1	SET	
24	D10	INC. 37	INC. 37	INC. 37	0		
024A			188452-6	HANDLE SET	1	SET	
024A	D10	INC. 37	INC. 37	INC. 37	0		
024B			188452-6	HANDLE SET	1	SET	
024B	D10	INC. 37	INC. 37	INC. 37	0		
25			266326-2	TAPPING SCREW 4X18	4	PC.	
025A			266326-2	TAPPING SCREW 4X18	4	PC.	
025B			266326-2	TAPPING SCREW 4X18	4	PC.	
26			631797-6	CONTROLLER	1	PC.	110V
26			631799-2	CONTROLLER	1	PC.	240V
026A			631799-2	CONTROLLER	1	PC.	240V
026A			631797-6	CONTROLLER	1	PC.	110V
026B			631799-2	CONTROLLER	1	PC.	240V
27			418518-1	SLEEVE	1	PC.	
027A			418518-1	SLEEVE	1	PC.	
027B			418518-1	SLEEVE	1	PC.	
28			651922-3	SWITCH TG71B	1	PC.	
028A			651922-3	SWITCH TG71B	1	PC.	
028B			651922-3	SWITCH TG71B	1	PC.	
29			654575-7	TERMINAL BLOCK	1	PC.	
029A			654575-7	TERMINAL BLOCK	1	PC.	
029B			654575-7	TERMINAL BLOCK	1	PC.	
30			266326-2	TAPPING SCREW 4X18	1	PC.	